

BRONZE PUMPS

Glandless and Glanded H.W.S. and Industrial Applications



- Comprehensive glandless and glanded ranges
 - W.R.A.S. approved
 - Reduced energy consumption with MiniWatt and EcoWatt
 - Branch sizes from ½" to 65mm
 - Flow rates up to 60 m³/h (16 L/s)
 - Heads up to 30 m (300 kPa)
 - Multi speed glandless pumps for maximum flexibility and energy savings
 - Glanded pumps fitted with quiet running T.E.F.V. motors
 - Glanded pumps fitted with special hard faced mechanical seal
 - Glanded pumps also suitable for sea water
 - Models:
 - EV and MiniWatt-Z Glandless bronze
 - EV and MiniWatt-VZ Glandless bronze with special seal to limit lime deposit
 - Omega-Z Glanded pumps
 - Ecowatt Minipump (brass construction) for small installations.
- See separate brochure

BRONZE PUMPS

Glandless and Glanded

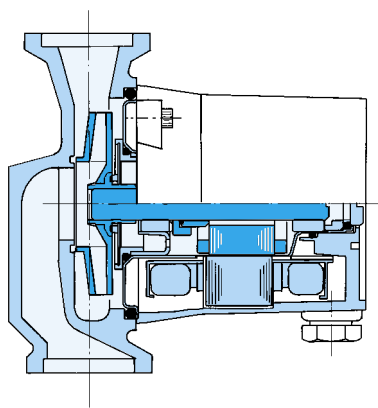
H.W.S. and Industrial Applications

Construction - Glandless

Pumps are of the in-line configuration with the motors mounted directly to the pump body. The internal design incorporates stainless steel can and shaft, with substantial carbon bearings to ensure quiet operation and long life.

"TUT" anti-lime system

All "VZ" glandless pumps are fitted with the Smedegaard pressure equalising seal, which restricts the number of water changes in the rotor chamber, reducing lime scale deposit.



Performance Regulation

The Ecowatt, Miniwatt 2/3-50-2Z/VZ, EV 2/3-75-4Z/VZ and EV 2/3-75-2Z/VZ are single speed motors. The EV 2/3-75-4Z/VZ and EV 2/3-75-2Z/VZ are fitted with a manual performance regulator. All other glandless pumps have multi-speed electrical regulators, which allow the pump performance to be accurately matched to system requirements.

Field of Application

Secondary hot water, where it is recommended that the water temperature does not exceed 65°C to limit lime scale deposit in the stator/rotor area. Maximum working pressure 10 bar, with a minimum static head requirement at 65°C of 2m on 4-pole pumps and 2.5m on 2-pole pumps.

Materials of Construction

Pump casing: Bronze RG 6
 Impeller: Bronze RG 9 / PSU
 Shaft/can: Stainless steel 4301
 Bearings: Carbon
 O-rings: EPDM rubber
 (EcoWatt, see separate brochure)

Model identification

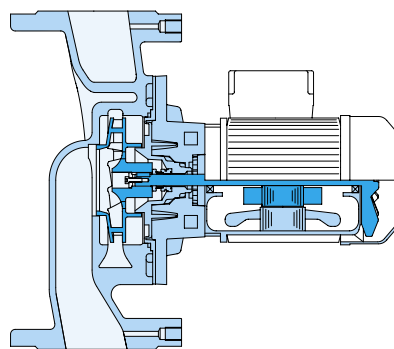
EV: Glandless range
 2: Internal port dia. 25mm (1")
 65: Nominal impeller dia. in mm
 2: Motor 2-pole, 2800 rpm
 Z: Bronze construction
 VZ: With "TUT" anti lime system

Construction - Glanded

The pumps are of the in-line configuration with the motors mounted directly to the pump body. The short shaft extension makes the unit very compact and ensures long mechanical seal life.

Mechanical seal

A special quality hard faced mechanical seal is fitted to all pumps, to meet the adverse conditions found in some HWS secondary systems. The pumps incorporate "back pull out facility", which enables seal replacement without removing the pump casing from the pipework.



Performance regulation

The models Omega 25 and Omega 75 are fitted with manual performance regulators. Performance of larger models can be varied by fitting of trimmed impeller. See Omega brochure.

Field of Application

H & V secondary hot water services and general water transfer duties including sea water. Temperature range -15°C to +80°C. Maximum working pressure 10 bar. Minimum static head 3m on 2-pole pumps and 2m on 4-pole pumps.

Materials of Construction

Pump casing: Bronze RG 6
 Impeller: Bronze RG 9 / PSU
 Bracket: PA 6.6 (wetted part)
 Shaft: AISI 316
 Mechanical seal: Sic/Sic/EPDM
 (other options available)
 O-Rings: EPDM rubber

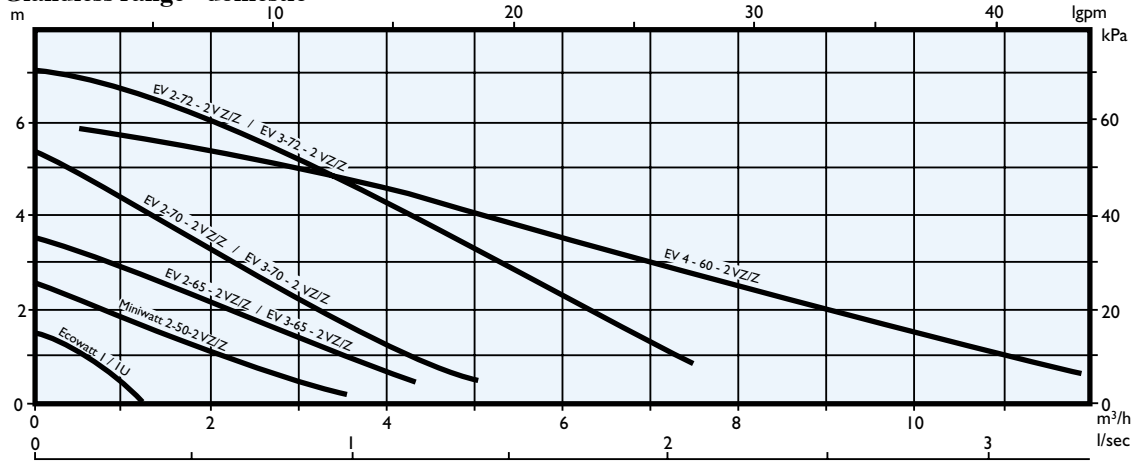
Model identification

Omega: In-Line glanded
 4: Internal port dia. 40 mm (1½")
 100: Nominal impeller dia in mm.
 4: Motor 4-pole, 1400 rpm
 Z: Bronze construction

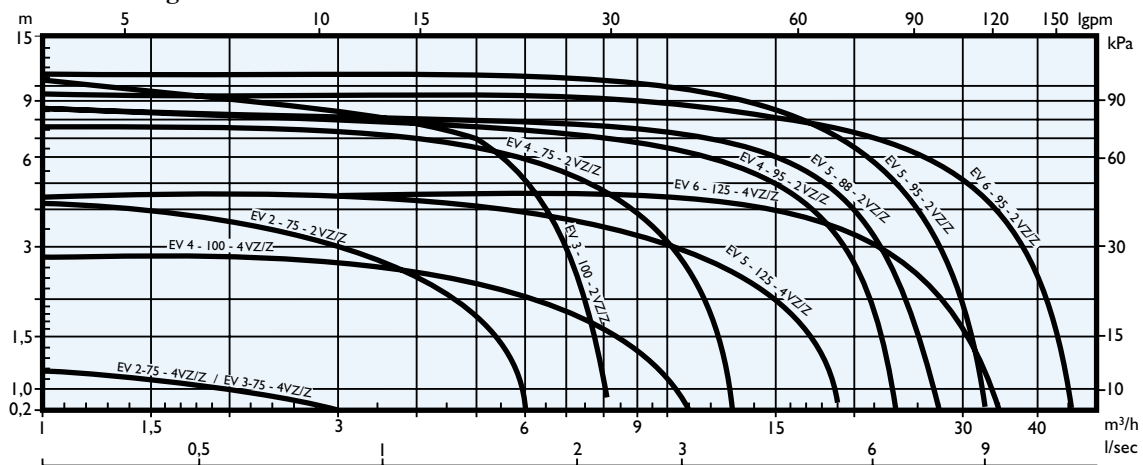
BRONZE PUMPS

Glandless and Glanded H.W.S. and Industrial Applications

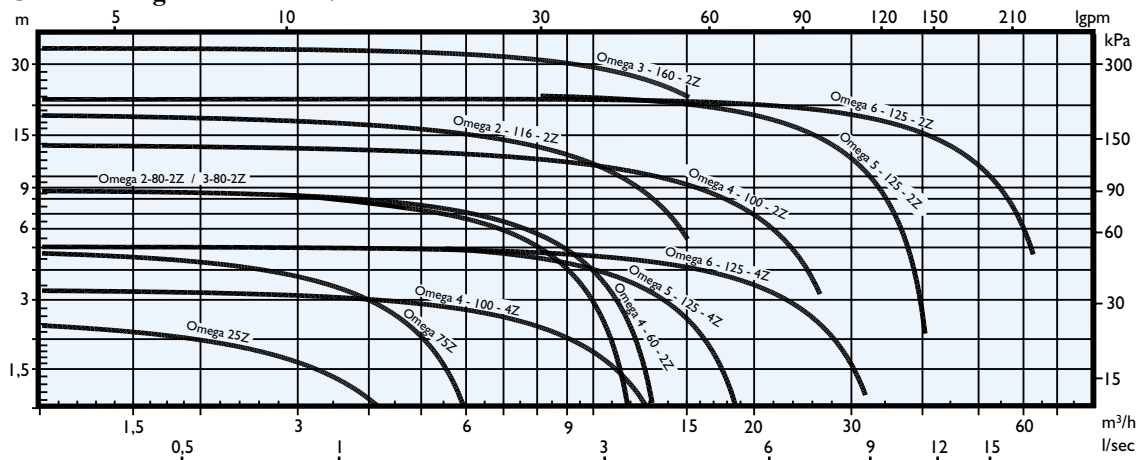
Glandless range - domestic



Glandless range - commercial



Glanded range - commercial/industrial

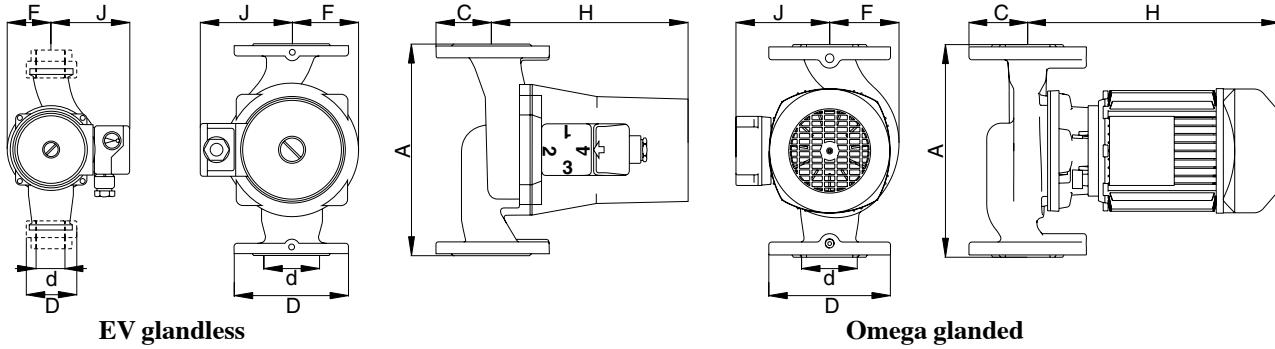


Glanded pumps are available with trimmed impellers. For individual curves see Omega and EV range leaflets.

BRONZE PUMPS

Glandless and Glanded

H.W.S. and Industrial Applications



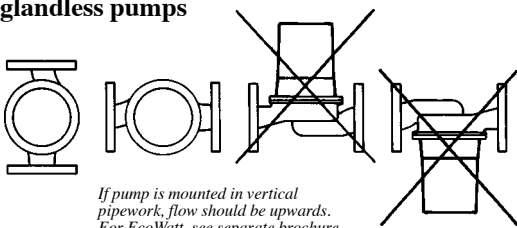
EV glandless

Omega glanded

TYPE	A	C	D	d	F	H	J	speed 1 ph	speed 3 ph	R.P.M.	Watts		Max F.L.C. Amps*			Weight kg
											Min/Max	1x230	3x230	3x400		
EcoWatt 1	65	-	-	1/2"	40	148	40	1	-	2350	25	0,15	-	-	1,1	
EcoWatt 1u	65	-	-	1/2"	40	165	80	1	-	2350	25	0,15	-	-	1,1	
MiniWatt 2-50-2 Z/VZ	130/180	40	1 1/2"	3/4"-1"	50	110	85	1	-	2350	25-35	0,16	-	-	3,5	
MiniWatt 3-50-2 Z/VZ	180	40	2"	1 1/4"	50	110	85	1	-	2350	25-35	0,16	-	-	3,5	
EV 2-65-2 Z/VZ	130/180	40	1 1/2"	3/4"-1"	50	110	85	3	1	2350	30-65	0,30	0,34	0,20	3,5	
EV 3-65-2 Z/VZ	180	40	2"	1 1/4"	50	110	85	3	1	2350	30-65	0,30	0,34	0,20	3,5	
EV 2-70-2 Z/VZ	130/180	40	1 1/2"	3/4"-1"	50	110	85	3	1	2350	45-115	0,55	0,43	0,25	3,7	
EV 3-70-2 Z/VZ	180	40	2"	1 1/4"	50	110	85	3	1	2350	45-115	0,55	0,43	0,25	3,7	
EV 2-72-2 Z/VZ	180	40	1 1/2"	3/4"-1"	50	145	85	3	4	2750	85-210	0,95	0,75	0,42	5,0	
EV 3-72-2 Z/VZ	180	40	2"	1 1/4"	50	145	85	3	4	2750	85-210	0,95	0,75	0,42	5,0	
EV 2-75-4 Z/VZ	180	55	1 1/2"	3/4"-1"	60	150	85	1	1	1400	70-80	0,43	0,35	0,22	5,2	
EV 3-75-4 Z/VZ	180	55	2"	1 1/4"	60	150	85	1	1	1400	70-80	0,43	0,35	0,22	5,2	
EV 2-75-2 Z/VZ	180	55	1 1/2"	3/4"-1"	60	150	85	1	1	2800	110-150	0,80	0,70	0,40	5,2	
EV 3-75-2 Z/VZ	180	55	2"	1 1/4"	60	150	85	1	1	2800	110-150	0,80	0,70	0,40	5,2	
EV 3-100-2 Z/VZ	180	40	2"	1 1/4"	65	160	85	4	4	2750	130-290	1,40	1,25	0,55	6,8	
EV 4-100-4 Z/VZ	250	75	150	40	65	160	85	4	4	1200	70-190	0,85	0,70	0,48	14	
EV 4-60-2 Z/VZ	250	75	150	40	75	150	85	4	4	2750	64-225	1,00	0,69	0,50	13	
EV 4-75-2 Z/VZ	250	75	150	40	75	160	95	4	4	2750	90-300	1,35	1,25	0,55	14	
EV 4-95-2 Z/VZ	250	75	150	40	75	200	105	4	4	2650	250-580	2,50	1,90	1,10	17	
EV 5-125-4 Z/VZ	280	83	165	50	85	200	105	4	4	2650	120-330	1,80	1,55	0,88	20	
EV 5-88-2 Z/VZ	280	83	165	50	85	200	105	4	4	2650	250-650	2,70	2,10	1,20	20	
EV 5-95-2 Z/VZ	280	83	165	50	95	230	125	4	4	2650	350-980	4,70	3,60	2,0	31	
EV 6-125-4 Z/VZ	340	93	185	65	105	235	125	4	4	1380	160-490	2,50	2,20	1,15	36	
EV 6-95-2 Z/VZ	340	93	185	65	105	235	125	4	4	2800	425-1070	4,50	3,90	2,10	36	
Omega 25 Z	180	55	1 1/2"	3/4"-1"	60	282	125	1	1	1420	120-130	1,2	0,85	0,5	8,8	
Omega 75 Z	180	55	1 1/2"	3/4"-1"	60	282	125	1	1	2840	140-190	1,2	1,0	0,6	8,6	
Omega 2-80-2 Z	180	40	1 1/2"	3/4"-1"	50	294	125	1	1	2840	200-400	1,9	1,32	0,76	8,9	
Omega 3-80-2 Z	180	40	2"	1 1/4"	50	294	125	1	1	2840	200-400	1,9	1,32	0,76	9,0	
Omega 2-116-2 Z	235	50	1 1/2"	3/4"-1"	82	242	90	1	1	2840	500-710	-	2,8	1,6	10,8	
Omega 3-160-2 Z	315	70	2"	1 1/4"	105	308	125	1	1	2840	650-2450	-	7,8	4,5	27	
Omega 4-60-2 Z	250	75	150	40	75	295	125	1	1	2840	200-400	1,9	1,32	0,76	15,2	
Omega 4-100-2 Z	250	75	150	40	70	295	111	1	1	2840	450-930	4,75	3,46	2,0	21,4	
Omega 4-100-4 Z	250	75	150	40	70	295	125	1	1	1420	200-400	1,2	1,05	0,60	17,3	
Omega 5-125-2 Z	280	83	165	50	95	328	128	1	1	2840	1300-2100	-	6,95	4,0	27,4	
Omega 5-125-4 Z	280	83	165	50	95	283	125	1	1	1420	180-360	1,6	1,15	0,66	20,8	
Omega 6-125-2 Z	340	93	185	65	105	384	128	1	1	2840	1350-3200	-	11,25	6,5	39	
Omega 6-125-4 Z	340	93	185	65	105	314	125	1	1	1420	306-525	3,2	2,15	1,25	30	

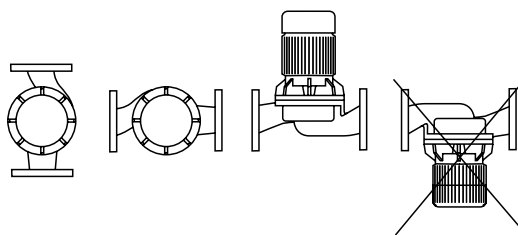
* Check general brochures / nameplate for FLC and other data at lower speeds.

Installation MiniWatt and EV glandless pumps



If pump is mounted in vertical pipework, flow should be upwards.
For EcoWatt, see separate brochure.

Omega glanded pumps



Whilst every care has been taken to ensure that data is correct, no responsibility can be taken for inaccuracies or misprints.

It is SMEDEGAARD's policy to continually improve and develop the product range. We reserve the right to change specifications without prior notice.